

## TECHNICAL DATA SHEET

# 9" JBT Dispenser



### Product Code: R2000TBK, R2000TBL

- Universally dispenses any brand or quality of jumbo bath tissue
- Contemporary design provides no flat surface to place cigarettes, minimizing ugly burn marks
- Designed to provide ease-of-use, with easy paper access and multi-directional tearing

#### Installation:

Wall mounted

#### Closure:

With lock

#### Color:

Black Pearl, Arctic Blue

#### Dimensions:

12" (H) x 10.25" (W) x 5.625" (D)

305 mm (H) x 260 mm (W) x 143 mm (D)

#### Capacity:

9" JBT roll

#### Core Diameter:

3.25" (83 mm)

#### Case Weight:

12 lbs (5.4 kg)

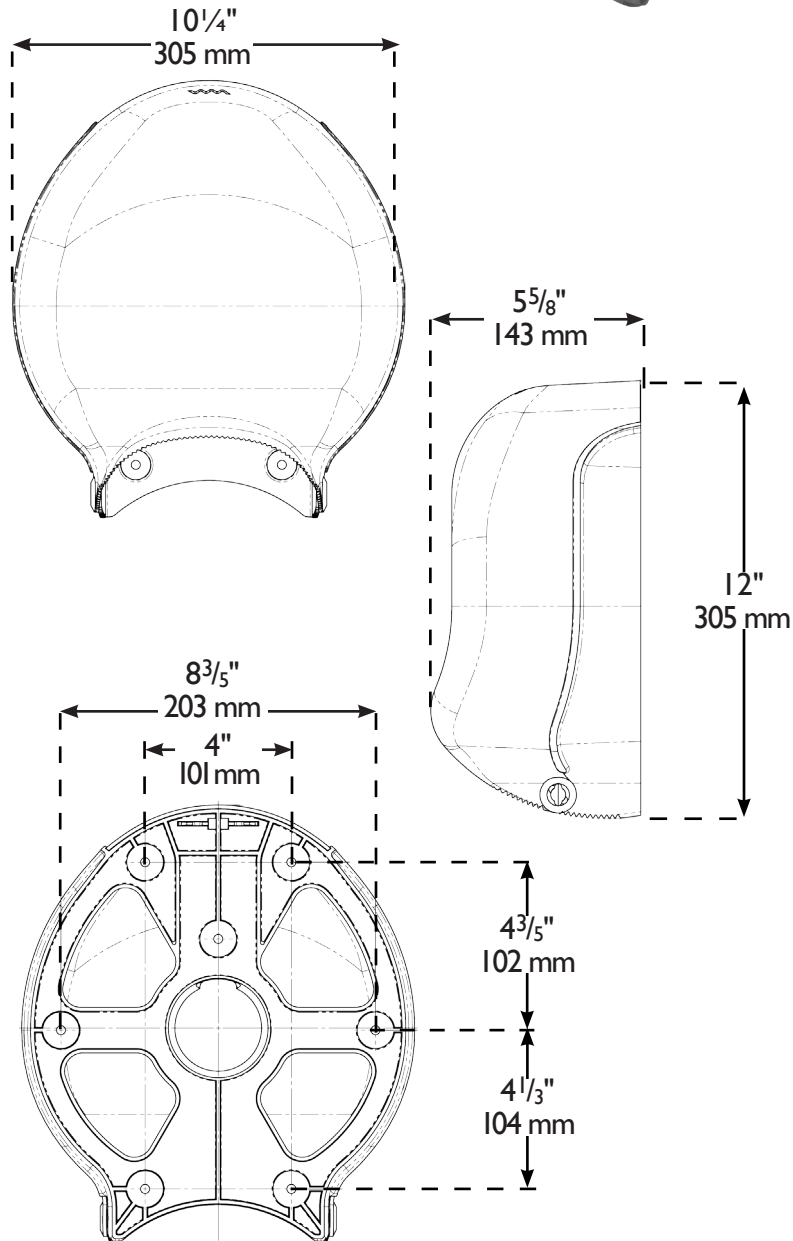
#### Materials:

Base: break-resistant plastic

Cover: break-resistant plastic

#### Standard Product Codes:

R2000TBK, R2000TBL



#### San Jamar

555 Koopman Lane  
Elkhorn, Wisconsin 53121  
USA  
T: +1.262.723.6133  
F: +1.262.723.4204  
info@sanjamar.com  
www.sanjamar.com

#### Canada

15252 32nd Avenue  
Suite 309  
Surrey, BC V3S 0R7  
CANADA  
T: +1.262.723.6133  
F: +1.262.723.4204  
canada@sanjamar.com

#### Europe

Schoorstraat 26a, bus 1  
2220 Heist op-den Berg  
BELGIUM  
T: +32 15 22 81 40  
F: +32 15 22 81 48  
emea@sanjamar.com

#### México

Av. Paseo de la Reforma No. 350 - 10  
Col. Juárez  
Deleg. Cuauhtemoc, CP 06600  
MEXICO, D.F.  
T: +52 (55) 3626 0772  
mexico@sanjamar.com

