

TECHNICAL DATA SHEET

Twin 9" JBT Dispenser

Product Code: R4000



- Universal dispenses any brand or quality of jumbo bath tissue
- Compact, contemporary, and space saving design
- Designed to provide ease-of-use, easy paper access and multi-directional tearing in a hygienic delivery system.
- New gentle gravity assisted Infinity System.

Installation: Wall mounted

Closure: With lock

Color: Black Pearl, Arctic Blue, White Sand

Dimensions:

11.83" (H) x 19.29" (W) x 5.51" (D)

Capacity: (2) 9" JBT rolls

Core Diameter: 3.25"

Case Weight: 3.55 lbs

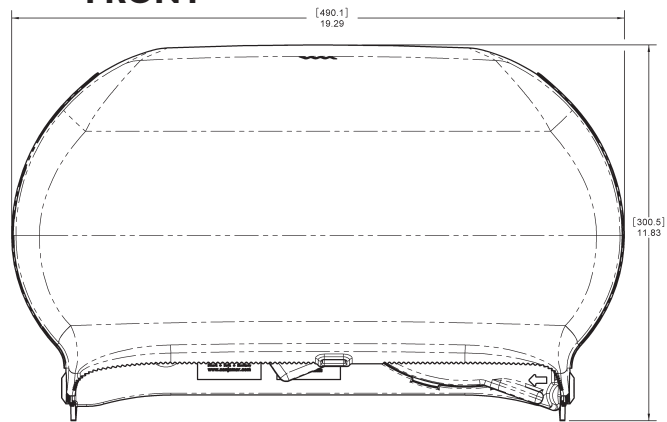
Materials:

Base: break resistant plastic
Cover: break resistant plastic

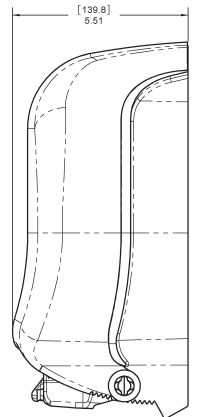
Standard Product Codes:

R4000TBK, R4000TBL, R4000WS

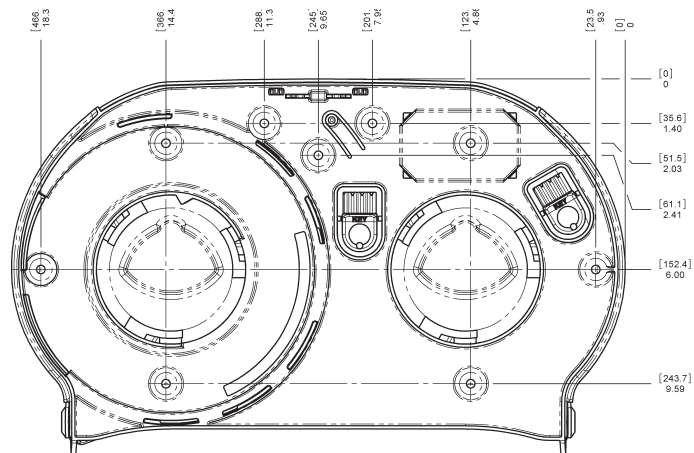
FRONT



SIDE



BACK



TECHNICAL DATA SHEET

Twin 9" JBT Dispenser

Product Code: R4000



- Universal dispenses any brand or quality of jumbo bath tissue
- Compact, contemporary, and space saving design
- Designed to provide ease-of-use, easy paper access and multi-directional tearing in a hygienic delivery system.
- New gentle gravity assisted Infinity System.

Installation: Wall mounted

Closure: With lock

Color: Black Pearl, Arctic Blue, White Sand

Dimensions:

300mm (H) x 490mm (W) x 140mm (D)

Capacity: (2) 9" JBT rolls / (2) 400m rolls

Case Weight: 1.6 kgs

Materials:

Base: break resistant plastic

Cover: break resistant plastic

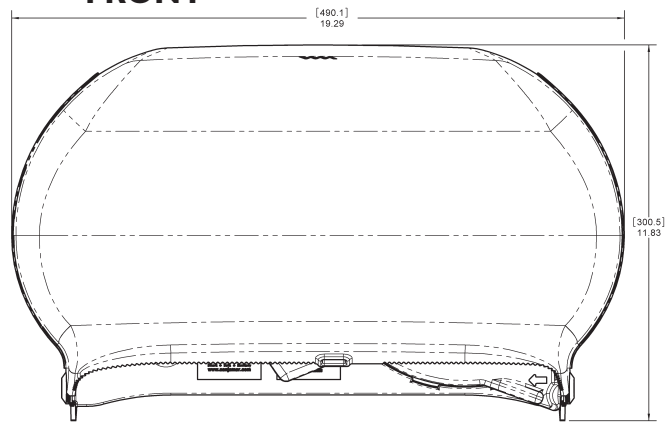
Core Diameter:

R4000: Minimum 82.5mm

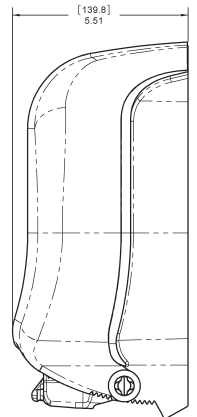
R4020: Minimum 57mm

R4040: Minimum 76mm

FRONT



SIDE



BACK

